

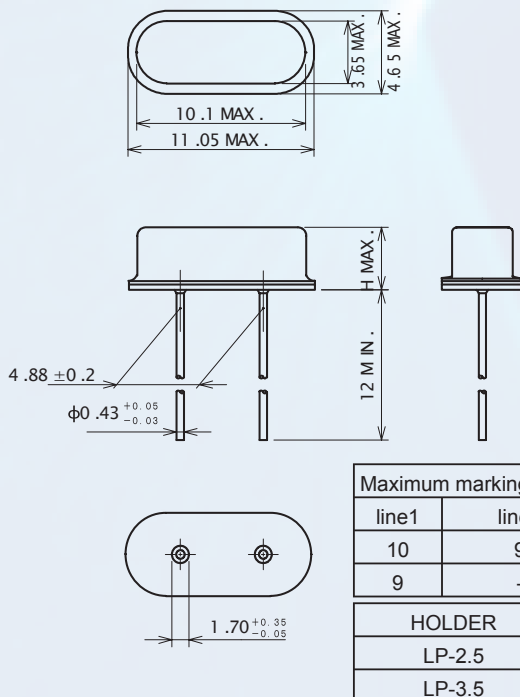
- Applications
 - Video camera ▪ Audio Equipment ▪ Cordless Telephones ▪ HDD
- Features
 - Dimensions(11.05×4.65×H)
 - Industry Standard Package
 - Leadless Type ▪ Resistance Sealed
 - Tight Tolerance and Stability
 - RoHS Compliant

▼ Specifications

Type	HC49/S -- HC/49SS	
Nominal frequency range	3.500 ~ 40.000MHz	30.000 ~ 80.000MHz
Crystal cut	Fundamental [AT-cut]	3rd overtone[AT-cut]
Storage temperature range	-40 ~ +90°C	
Operating temperature range	-10 ~ +70°C (-40 ~ +85°C)	
Frequency temperature characteristics (Ref. to +25°C)	± 30	
Frequency tolerance(at +25°C)	±30 -- ± 50	
Equivalent series resistance	Please refer to the following ESR Table	
Load capacitance	series, 10pF, 12pF, 16pF	
Shunt capacitance	5pF max.	
Level of drive	10μW(100μW max.)	

Package quantity : 1,000pcs max./box.

▼ Outline Dimensions [unit:mm]



▼ ESR Table

Frequency[MHz]	
Fundamental	ESR[Ω]
3.500 ~ 3.999	150
4.000 ~ 4.999	120
5.000 ~ 5.999	100
6.000 ~ 8.999	80
9.000 ~ 9.999	60
10.000 ~ 12.999	50
13.000 ~ 18.999	40
19.000 ~ 40.000	30
3rd overtone	ESR[Ω]
30.000 ~ 44.999	80
45.000 ~ 59.999	70
60.000 ~ 80.000	60